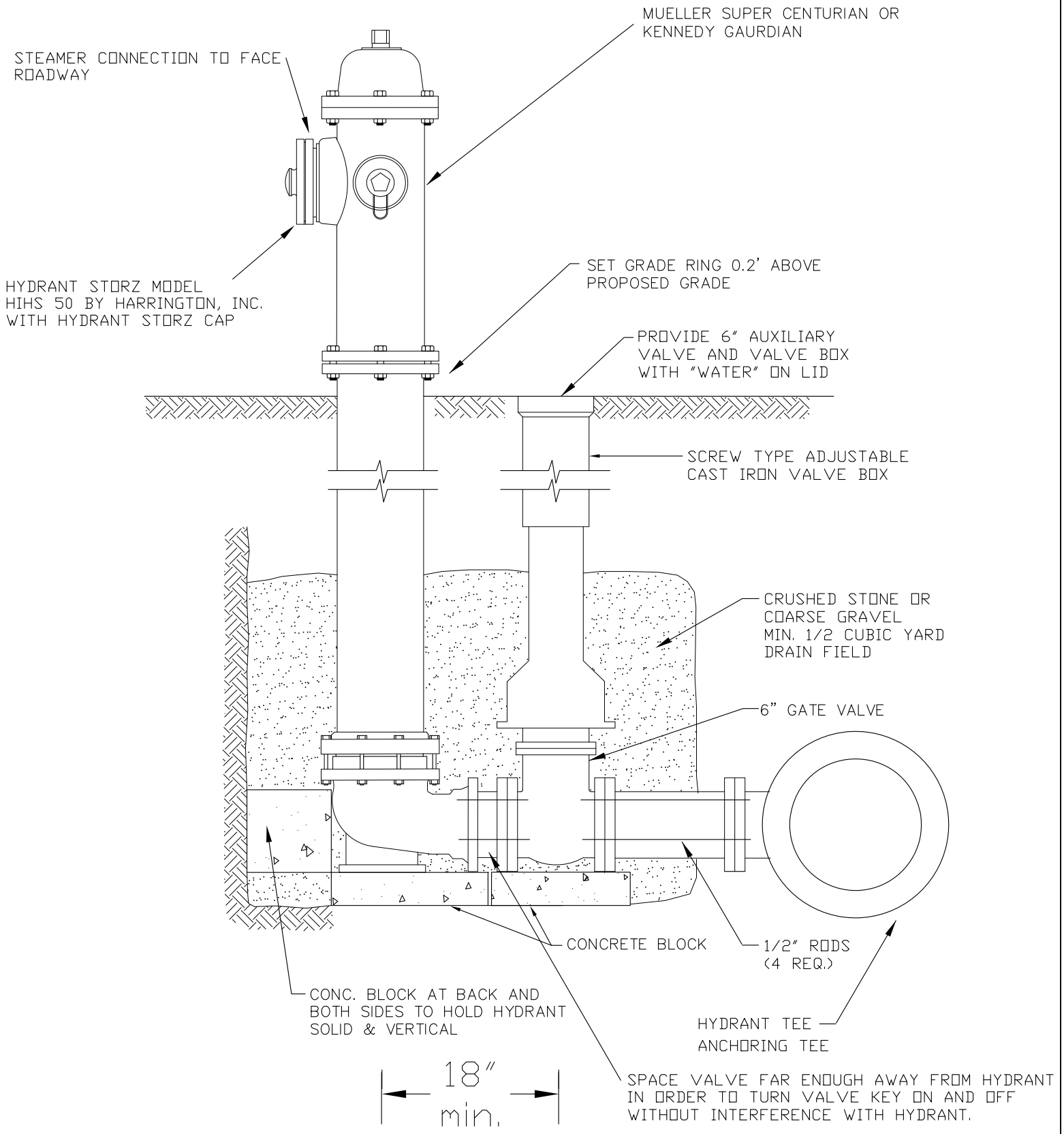


# HYDRANT SETTING



NOTE: MAINTAIN ENOUGH DISTANCE BETWEEN VALVE & HYDRANT FOR VALVE KEY TO TURN PROPERLY